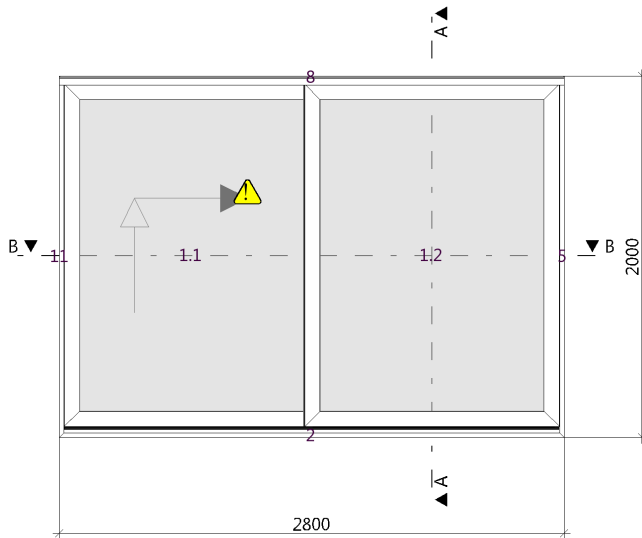
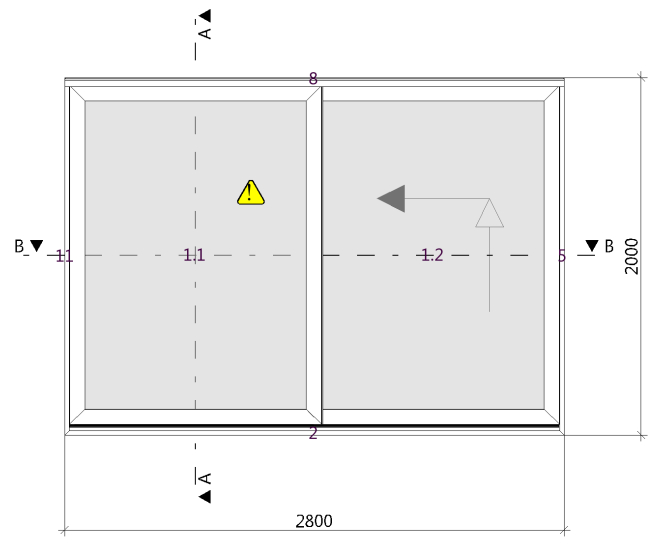


Unit overview
(Janisol Lift and Sliding Door)/Configuratipon A left/+++



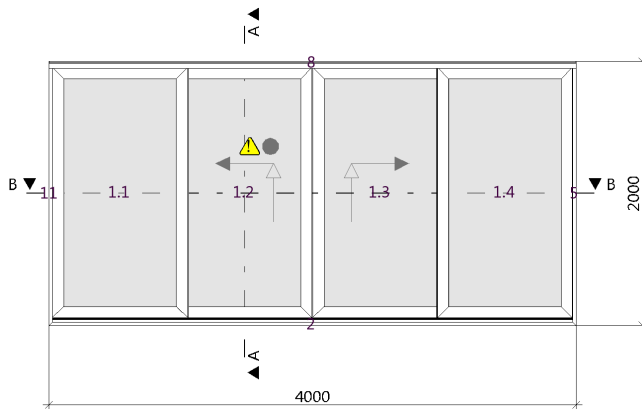
Outside
DIN EN 12519

Project: Janisol Lift and Sliding Door
Project name: Jansen AG
Item: Configuratipon A left
Item description:
Number: 1



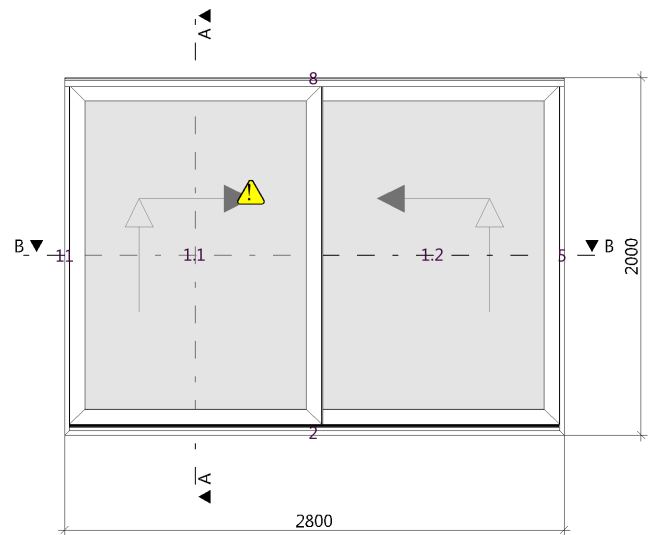
Outside
DIN EN 12519

Project: Janisol Lift and Sliding Door
Project name: Jansen AG
Item: Configuratipon A right
Item description:
Number: 1



Outside
DIN EN 12519

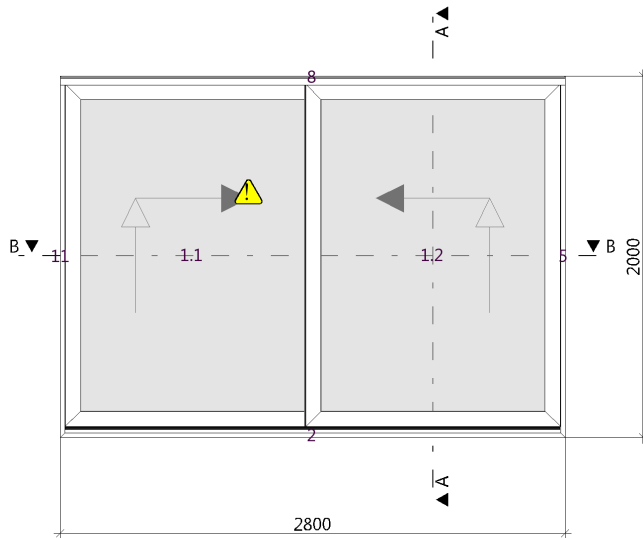
Project: Janisol Lift and Sliding Door
Project name: Jansen AG
Item: Configuratipon C
Item description:
Number: 1



Outside
DIN EN 12519

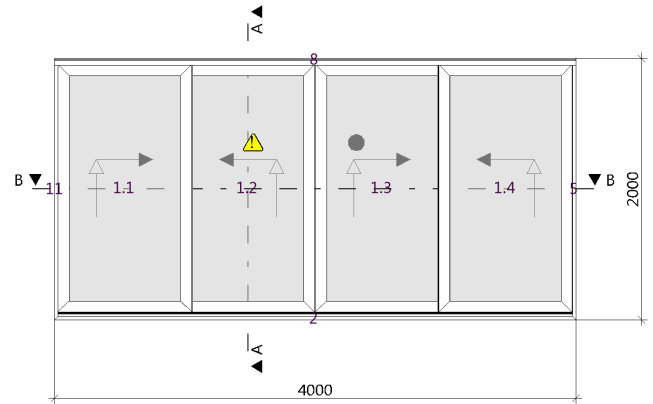
Project: Janisol Lift and Sliding Door
Project name: Jansen AG
Item: Configuratipon D left
Item description:
Number: 1

Unit overview
(Janisol Lift and Sliding Door)/Configuratipon A left/+++



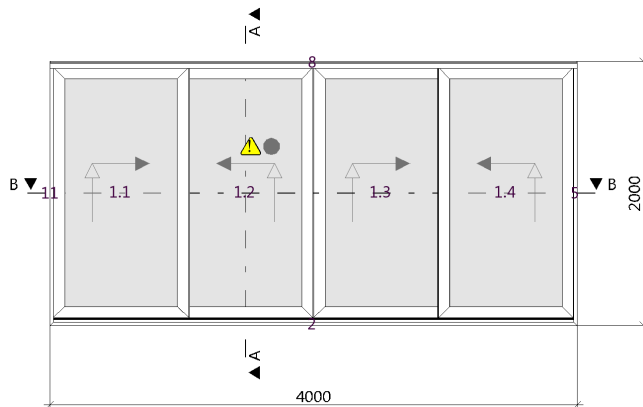
Outside
DIN EN 12519

Project: Janisol Lift and Sliding Door
Project name: Jansen AG
Item: Configuratiopon D right
Item description:
Number: 1



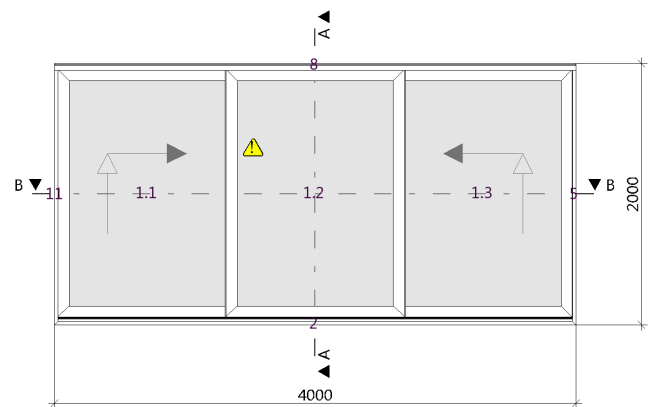
Outside
DIN EN 12519

Project: Janisol Lift and Sliding Door
Project name: Jansen AG
Item: Configuratiopon F left
Item description:
Number: 1



Outside
DIN EN 12519

Project: Janisol Lift and Sliding Door
Project name: Jansen AG
Item: Configuratiopon F right
Item description:
Number: 1



Outside
DIN EN 12519

Project: Janisol Lift and Sliding Door
Project name: Jansen AG
Item: Configuratiopon K
Item description:
Number: 1

The details on this output list calculated by the programme have to be checked for correctness!

Please observe the accompanying messages or error lists.